

## ProThermetic Sprint Electric Tilting Braising Pan, 90lt, Hygienic Profile, Freestanding

ITEM # \_\_\_\_\_

MODEL # \_\_\_\_\_

NAME # \_\_\_\_\_

SIS # \_\_\_\_\_

AIA # \_\_\_\_\_


**586930 (PFET09ECES)**

Electric tilting Braising Pan 90lt (h), compound bottom, auto. H/C water filling with swivelling arm, spray gun, rear closing kit, GuideYou Panel, freestanding

**586955 (PFET09ELES)**

Electric tilting Braising Pan 90lt (h), splashback, compound bottom, splashback, auto. H/C water filling with swivelling arm, spray gun, rear closing kit, GuideYou Panel, freestanding

### Short Form Specification

**Item No.** \_\_\_\_\_

AISI 304 stainless steel construction. GN compliant pan size; 18mm thick pan bottom (15mm mild steel and 3 mm AISI 316 stainless steel). Insulated and counterbalanced lid. Motorized tilting with variable speed control. Pan can be tilted beyond 90° to completely empty the food. The electric heating elements are mounted under the well. Safety thermostat protects the pan from overheating. A precise, electronic control of pan bottom temperature ensures fast reaction and exact adherence to preselected cooking temperatures between 50° and 250°C. TOUCH control panel. GuideYou Panel easily guides the user during multiphase recipes. Built in temperature sensors for precise control of cooking process. Machine configuration including swivel arm with automatic water filling, spray gun and rear closing panel. IPX6 water resistant. Installation: Free-standing or Standing against a wall. Installation options (not included): floor mounted on 200mm high feet or a plinth which can be either steel or masonry construction. Dedicated model equipped with splashback as standard. Connectivity available.

### Main Features

- Motorized, variable pan tilting with "SOFT STOP". Tilting and pouring speeds can be precisely adjusted. Pan can be tilted over 90° to facilitate pouring and cleaning operations.
- Delivered with:
  - swivel arm with automatic hot/cold water filling
  - spray gun
  - rear closing panel
  - C-board (backsplash for the relevant model)
- USB connection to easily update the software, upload/download recipes and download HACCP data.
- Pan bottom with two individually adjustable heating zones, each with a temperature sensor.
- Optimum heat distribution in the food provides best cooking results in terms of taste, colour and consistency and in terms of vitamin preserving.
- Easy to clean cooking surface due to large-radius edges and corners.
- Pan size is GN compliant.
- No overshooting of cooking temperatures, fast reaction.
- IPX6 water resistant.
- Multifunctional cooking appliance used for roasting, pot-roasting, braising, simmering, boiling and steaming.
- Thermoblock heating system for even temperature distribution and high temperature stability.
- Built-in temperature sensor provides efficient temperature control: the power is supplied as and when required to keep the set temperature value without exceeding it.
- Connectivity ready, to connected appliances from remote via cable and data monitoring, including HACCP (requires optional accessory).

### Construction

- Heatproof handle with non-slip surface.
- External panelling and internal frame made of 1.4301 (AISI 304) stainless steel.
- Minimised presence of narrow gaps for easier cleaning of the sides to meet the highest hygiene standards.
- 98% recyclable by weight; packaging material free of toxic substances.
- Double-lined insulated lid in 1.4301 (AISI 304) stainless steel mounted on the cross beam of the unit, counterbalanced by a hinge that remains open in all positions.
- Can be prearranged for energy optimisation or external surveillance systems (optional).
- Multipurpose non-stick cooking surface in 18 mm thick compound: 3 mm shot-blasted 1.4404 (AISI 316L) stainless steel surface, seamlessly welded to 15 mm mild steel bottom.
- 15 mm thick heating layer concealed below the entire pan bottom, to provide high thermal diffusion and heat storage properties.
- Highly-visible and bright led TOUCH control panel features user-friendly icons and intuitive self-

**APPROVAL:** \_\_\_\_\_

explanatory command options. Display visualizes:

- Actual and set temperature
- Set and remaining cooking time
- Pre-heating phase (if activated)
- GuideYou Panel (if activated)
- Deferred start
- Soft Function to reach the target temperature smoothly
- 9 Power Control levels from simmering to fierce boiling
- Pressure mode (in pressure models)
- Stirrer ON/OFF settings (in round boiling models)
- Error codes for quick trouble-shooting
- Maintenance reminders
- Possibility to store recipes in single or multiphase cooking process, with different temperature settings.
- GuideYou Panel - activated by the user via settings - to easily follow the multiphase recipes, granting a proper and controlled cooking and a better appliance optimization.  
The system will provide maintenance reminders, in line with ESSENTIA program, helping the user to properly take care of the product, avoiding downtimes.
- Both "Boiling" or "Braising" mode functions available.
- Lateral surface of the vessel in DIN 1.4301/AISI 304.

### Sustainability

- High-quality thermal insulation of the pan saves energy and keeps operating ambient temperature low.

### Included Accessories

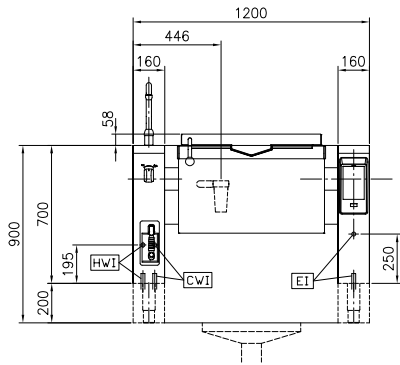
- 1 of C-board (length 1200mm) for tilting units - factory fitted (only for 586955) PNC 912184
- 1 of Rear closing kit for tilting units - against wall - factory fitted PNC 912704
- 1 of Automatic water filling (hot and cold) for tilting units - to be ordered with water mixer - factory fitted PNC 912735
- 1 of Spray gun for tilting units - freestanding (height 700mm) - factory fitted PNC 912776

### Optional Accessories

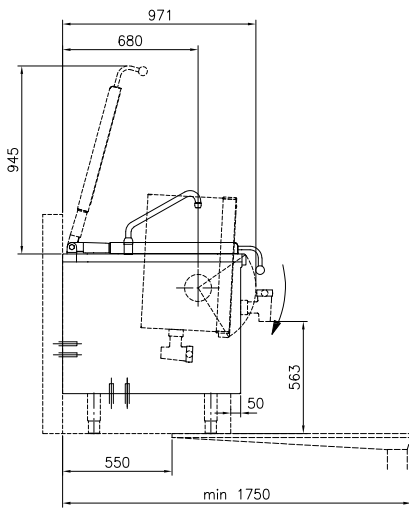
- Strainer for dumplings for all tilting & stationary braising and pressure braising pans (except 80lt) and for all stationary rectangular and 100lt round boiling pans PNC 910053
- Scraper for dumpling strainer for boiling and braising pans PNC 910058
- Perforated container with handles 1/1GN (height 150mm) for boiling and braising pans PNC 910212
- Stainless steel plinth for tilting units - against wall - factory fitted PNC 911425
- Small perforated shovel for braising pans (PFEN/PUEN) PNC 911577
- Small shovel for braising pans (PFEN/PUEN) PNC 911578
- Bottom plate with 2 feet, 200mm for tilting units (height 700mm) - factory fitted PNC 911930
- MOBILE KIT TxxT/PxxT (VAR.width=S-Code) PNC 912460
- Power Socket, CEE16, built-in, 16A/400V, IP67, red-white - factory fitted PNC 912468

- Power Socket, CEE32, built-in, 32A/400V, IP67, red-white - factory fitted PNC 912469
- Power Socket, SCHUKO, built-in, 16A/230V, IP68, blue-white - factory fitted PNC 912470
- Power Socket, TYP23, built-in, 16A/230V, IP55, black - factory fitted PNC 912471
- Power Socket, TYP25, built-in, 16A/400V, IP55, black - factory fitted PNC 912472
- Suspension frame GN1/1 for tilting braising pans PNC 912709
- Kit energy optimization and potential free contact - factory fitted PNC 912737
- Mainswitch 25A, 4mm<sup>2</sup> - factory fitted PNC 912773
- Food tap 2" for tilting braising pans (PUET-PFET) - factory fitted PNC 912780
- Emergency stop button - factory fitted PNC 912784
- Scraper without handle for braising pans (PFEX/PUEX) PNC 913431
- Scraper with vertical handle for braising pans (PFEX/PUEX) PNC 913432
- Connectivity kit for ProThermetic Boiling and Braising Pans ECAP - factory fitted PNC 913577

Front

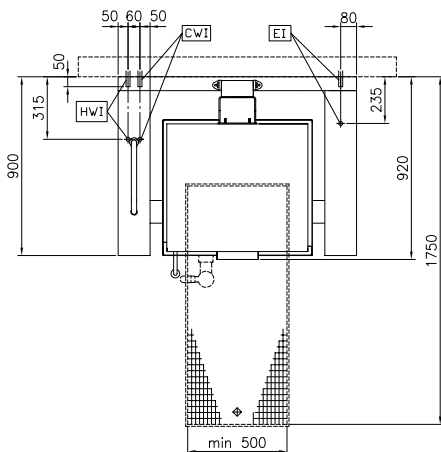


Side

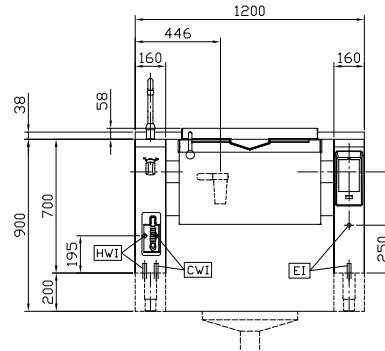


- CWI = Cold Water inlet 1 (cleaning)
- EI = Electrical inlet (power)
- HWI = Hot water inlet

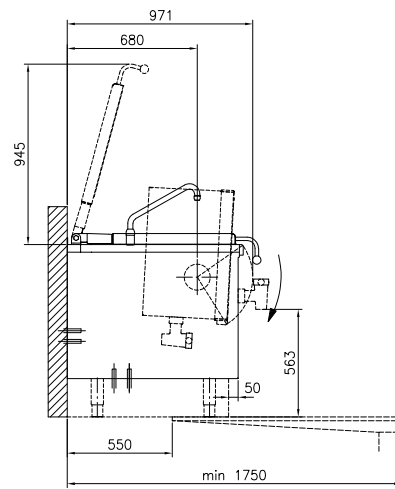
Top



Front

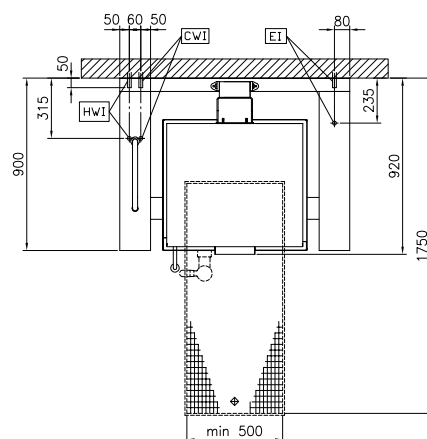


Side



- CWI = Cold Water inlet 1 (cleaning)
- EI = Electrical inlet (power)
- HWI = Hot water inlet

Top



ProThermetic Sprint  
Electric Tilting Braising Pan, 90lt, Hygienic Profile, Freestanding

The company reserves the right to make modifications to the products without prior notice. All information correct at time of printing.



### Electric

**Supply voltage:**

586930 (PFET09ECES) 400 V/3N ph/50/60 Hz

586955 (PFET09ELES) 400 V/3N ph/50/60 Hz

**Total Watts:** 15.5

### Installation:

**Type of installation:** FS on concrete base;FS on feet;On base;Standing against wall

### Key Information:

**Configuration:**

586930 (PFET09ECES) Rectangular;Tilting

586955 (PFET09ELES) Rectangular;Tilting;With splashback

**Working Temperature MIN:** 50 °C

**Working Temperature MAX:** 250 °C

**Vessel (rectangle) width:** 680 mm

**Vessel (rectangle) height:** 237 mm

**Vessel (rectangle) depth:** 558 mm

**External dimensions, Width:** 1200 mm

**External dimensions, Depth:** 900 mm

**External dimensions, Height:** 700 mm

**Net weight:** 240 kg

**Net vessel useful capacity:** 75 lt

**Tilting mechanism:** Automatic

**Double jacketed lid:** ✓

**Heating type:** Direct

